

# DU3-30500

## Manual Dimmer

### Product Features

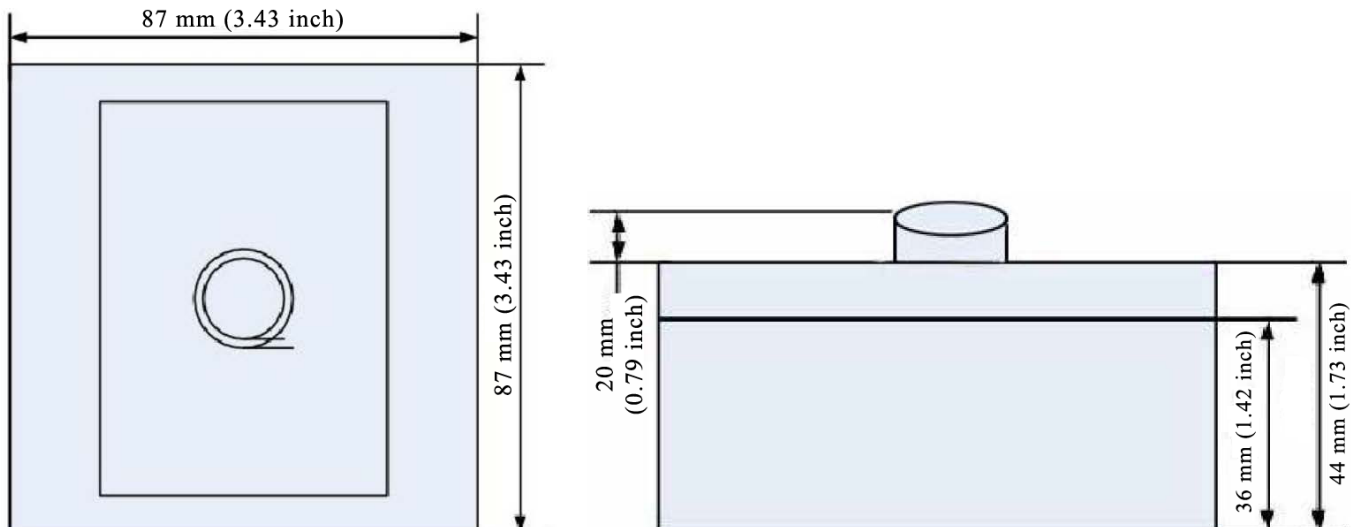
- 3-Channel output, compatible with all types of LED lighting.
- Adjustment knob allows for smooth brightness adjustments throughout the dimming curve.
- Uses high quality components which improves LED longevity.
- Improved circuit design ensures stable light output without flicker.
- Enhanced design eliminates interference from appliances.
- Uses a 30 pulse/cycle switch, 5 - 55 pulses, 0 - 100% brightness.
- 55-level dimmable.
- Operating temperature:-20 to +50 degree C.

### Product Specifications

- Input Voltage 12-24VDC
- Output Power 180-360W
- Output Current 5A MAX/Channel
- Operating Temperature 0 - 50°C
- Dimensions (L) 87 x (W)87 x (H)64 (mm)  
3.43 x 3.43 x 2.52 (inch)
- Weight 260g



### Dimensions



# DU3-30500

## Manual Dimmer

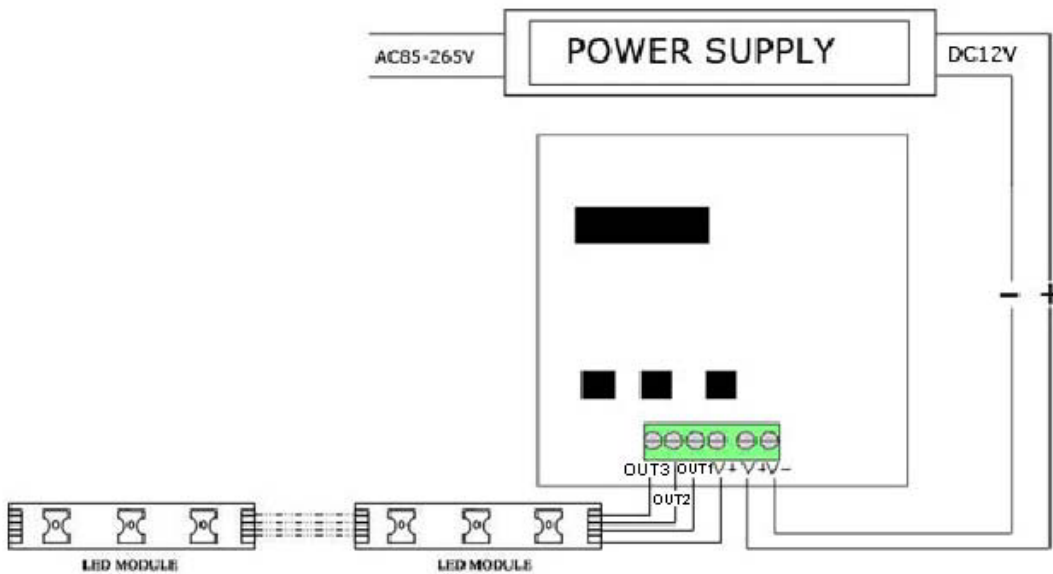
### Operation Instructions

- [Mode]** : Total 4 modes—channel 1, channel 2, channel 3 and all channels.  
 Modes can be changed by pressing the button.
- [Brightness+]** : Turn the button clockwise to increase brightness.
- [Brightness-]** : Turn the button counterclockwise to decrease brightness.

### Installation Instructions

- (1) This product uses 2-wire input and 4-wire output connections. Please make a proper connection following the figure below.
- (2) Do not install this product with the power on. If this product has to be installed with the power on, please remove or disconnect the loads first, and then install it.
- (3) After installation, please double check for a short circuit and proper load installation, and then turn it on.
- (4) After turning the DC power supply on, press the button one time to turn on the LED.

### Connection Instructions



△ Notes

- Do not use this product in high temperatures, unstable voltage or wet environment.
- This product has been tested by LED lights only. Its effects cannot be guaranteed when it works with other types of lights or appliances.