

LD4-10070

DALI PWM Dimming Decoder/Driver

Product Features

- Use with DALI controller or compatible touch dimmer.
- DALI digital control input, dimming control LED modules.
- Addressable output channels.
- Dimming range is 0-100% (LED brightness starts up at 1%).
- Works with DC power supply.
- Over-heat protection.
- Safety Class 2.
- 1-Channel 700mA constant current output.
- Works with lights of 1W x 3~12 LED.

Technical Specifications

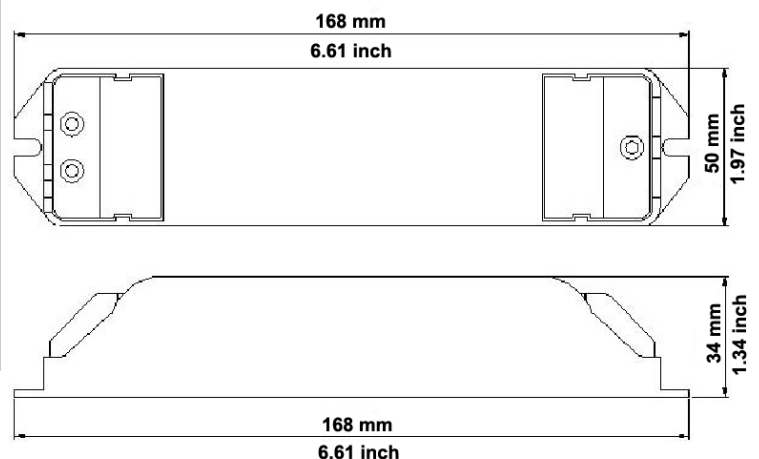
Parameter	Min. *	Nom. *	Max.	Unit
Input Voltage Range	12	12-48	48	VDC
Power Factor@15-48VDC	90	92	-	
Output Current	630	650	700	mA
Peak Current		<800		mA
Output Voltage	9	9-40	40	V
Output Power (1 Channel Pout Total)	3	3- 36	36	W
Dimming Control (Dimmer)	IE62386, IEC60929			
Case Temperature	-	-	70	°C
Ambient Temperature	-20	-	50	°C

Notes:

1. Protection: overheat protection.
2. *Valid at temperature of 25°C.



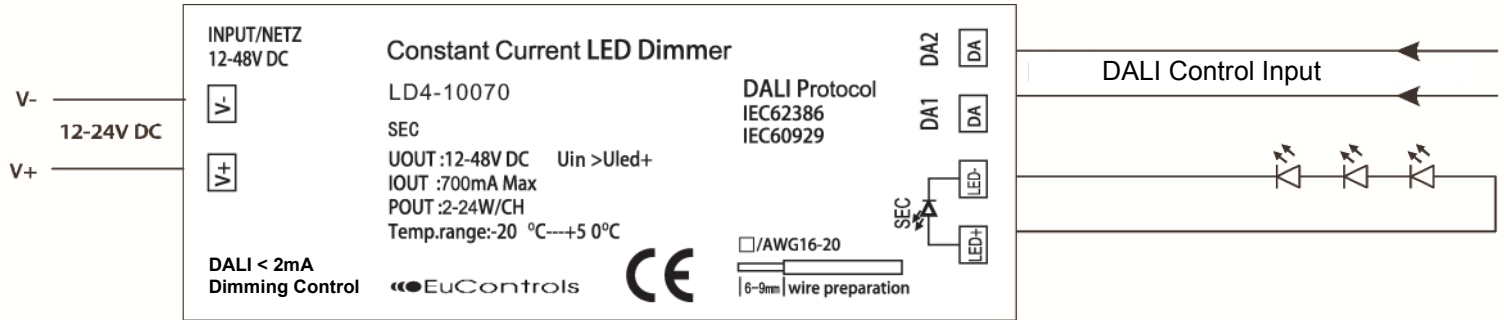
Dimensions



LD4-10070

DALI PWM Dimming Decoder/Driver

Connection Instructions



Installation Notes:

- 1) Review the connection diagram carefully before installation.
- 2) Use either a DALI controller input or a compatible touch dimmer to control the LED lights. Do not use simultaneously.
- 3) Use 16-20 AWG wires and trim the end 1/4 - 3/8 inch.
- 4) Press the cap down and insert the wire then release the cap.
- 5) Double-check all connections prior to powering up.

DALI Connection Diagram

