

S602-M

Line Voltage Microwave In-Fixture Sensor



Designed for in-fixture and standalone use

Fully adjustable standby and time delays

Internal photocell enables daylight harvesting for extra energy savings



Microwave detector senses through glass, walls, and around corners

Mounting height from 7 to 33 feet; can be installed in its own chassis

Low cost & warranted for 5 years

PRODUCT OVERVIEW

Introduction

The S602-M is a self-contained motion and light sensor with line voltage relay designed for installation within lighting fixtures or its own chassis. The sensor uses microwave sensing technology to detect motion in its coverage area and automatically turn off lights when persons have left the area, reducing energy usage. A built-in photodiode provides further savings by permitting daylight harvesting operation.

Operation

The sensor provides power to connected lights when motion is detected. When the sensor no longer detects movement and the standby time delay expires, the lights are switched off. A set ambient light threshold can keep lights off if there is sufficient natural light, leading to additional energy savings.

Commissioning

Setup and sensor adjustments are performed via on-unit trimpots, allowing parameter changes to the sensitivity of the microwave detector, standby time delay, and ambient light threshold.

Applications

This low-profile sensor is designed for installation inside the bottom of a light fixture or in a separate chassis. The sensor is ideal for the following applications:

ARCHITECTURAL

- Office meeting rooms
- Classrooms
- Restrooms
- Supermarkets
- Gas stations
- Gyms

OUTDOOR

- Parking garages
- Warehouses
- ATMs & kiosks
- Sports facilities
- Pathway lighting
- Street lighting

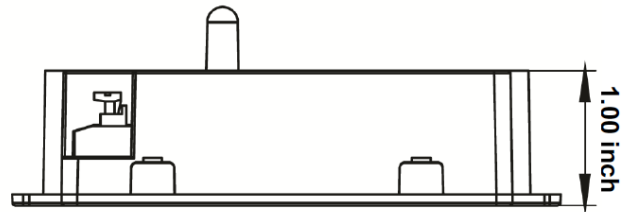
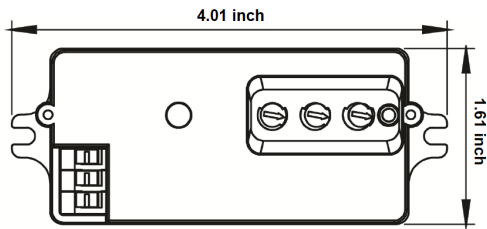
FEATURES

- Line voltage on/off control of lighting fixture(s)
- Compatible with LED drivers and fluorescent ballasts
- Microwave sensing technology can detect motion through glass, walls, and around corners
- Mount heights from 7 to 33 ft; can be installed inside fixture or separate chassis
- 10 seconds to 12 minutes standby time delay for a wide range of installation locations and applications
- Daylight harvesting functionality observes ambient light threshold set at preset light level
- UV resistant, flame retardant, impact resistant, and recyclable polycarbonate construction

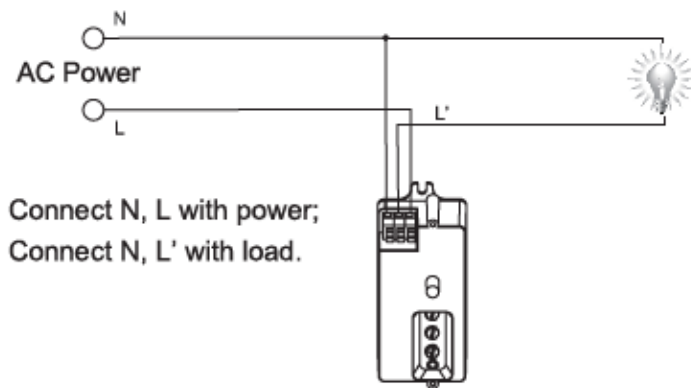
SPECIFICATIONS

- Input Voltage: 120/208-240/277VAC @ 50/60Hz
- Relay Load Ratings: 120VA max @ 120VAC: magnetic ballast, e-ballast, LED, and tungsten; 120VA max @ 208-240VAC: magnetic ballast, e-ballast, LED, and tungsten; 138VA max @ 277VAC, magnetic ballast, e-ballast, LED, and tungsten
- Standby Time Delay Periods: 10 secs to 10 mins
- Photocell Sensitivity Range: 1 to 185 fc
- Operating Temperature: -40 to +140 °F
- Operating Humidity: 20 to 90% non-condensing
- Weatherproof Rating: IP44 for indoor use only
- Safety Certifications: UL/cUL listed #E479515
- Regulatory Code Compliance: California Title 24

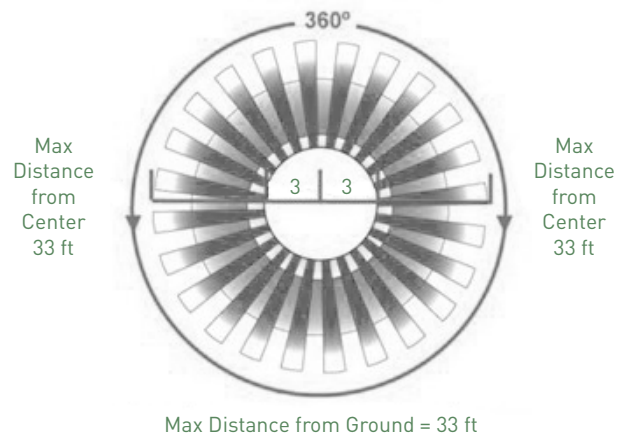
DIMENSIONS



WIRING



COVERAGE PATTERN



MOUNTING



ORDERING INFORMATION

Part Number	Color	Description
S602-M	White	In-Fixture, Microwave Sensor