

XA3-11000

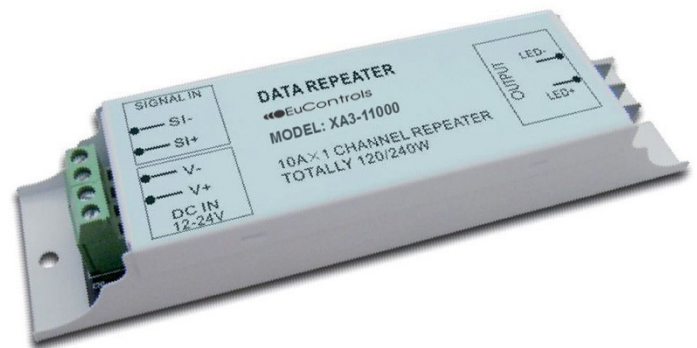
Power Repeater

Product Features

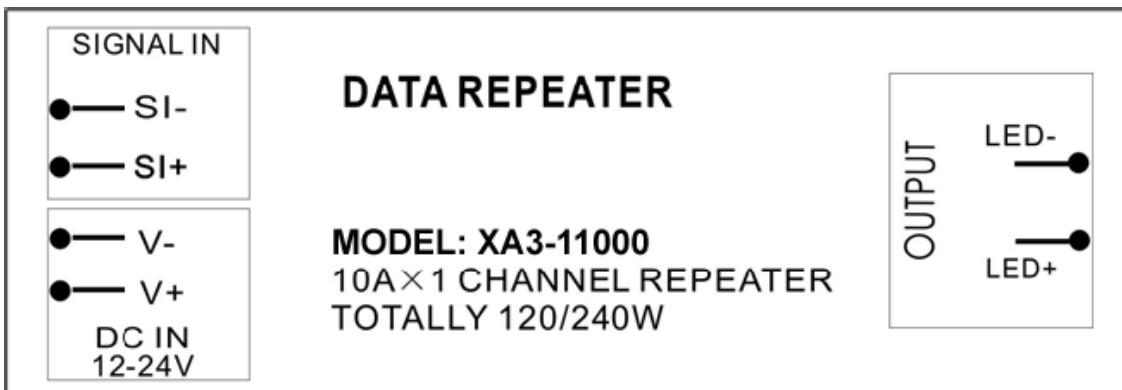
- Single channel RGB controls, Max 10A per channel.
- Amplifies power of synchronous signal.
- Accepts PWM (Pulse Width Modulation) control.
- Compatibles with various LED modules.
- Unlimited series connectivity.

Product Specifications

- | | |
|-------------------------|---|
| • Input Voltage | 12-24VDC |
| • Channel | 1 |
| • Output Current | 10A MAX / Channel |
| • Output Power | 12V: 120W; 24V: 240W |
| • Efficiency | 70% min |
| • Operating Temperature | 0 - 50°C |
| • Dimensions | (L)165*(W)39*(H)26 (mm)
6.5 x 1.54 x 1.02 (inch) |
| • Weight | 260g |



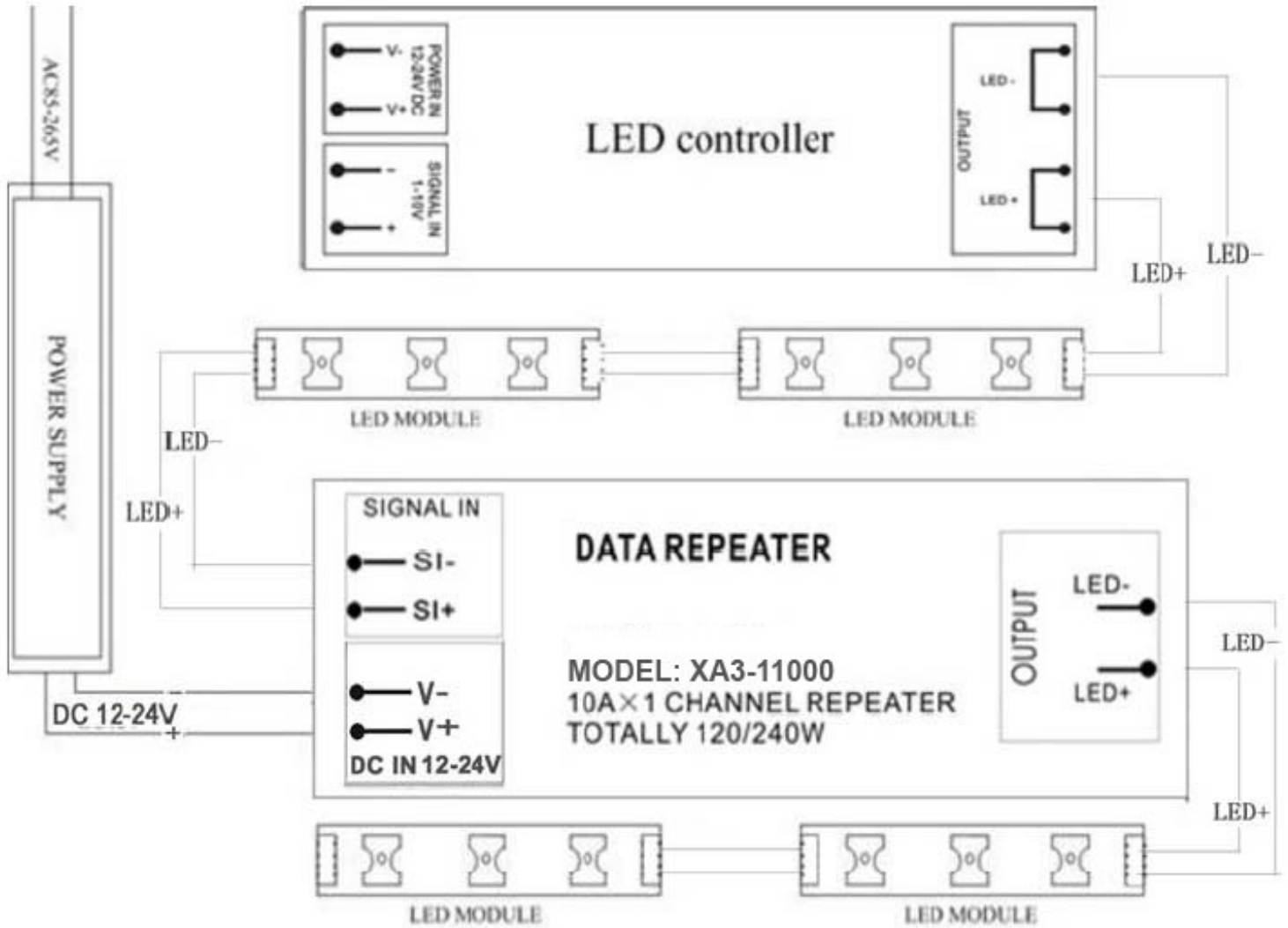
Panel



XA3-11000

Power Repeater

Connection Instructions



Note
 This unit can be connected with various single-color modules.