

XA3-30600

Power Repeater

Power Repeater

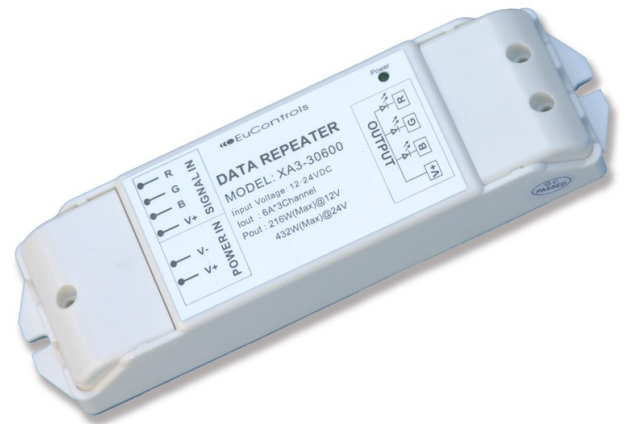
XA3-30600

Product Features

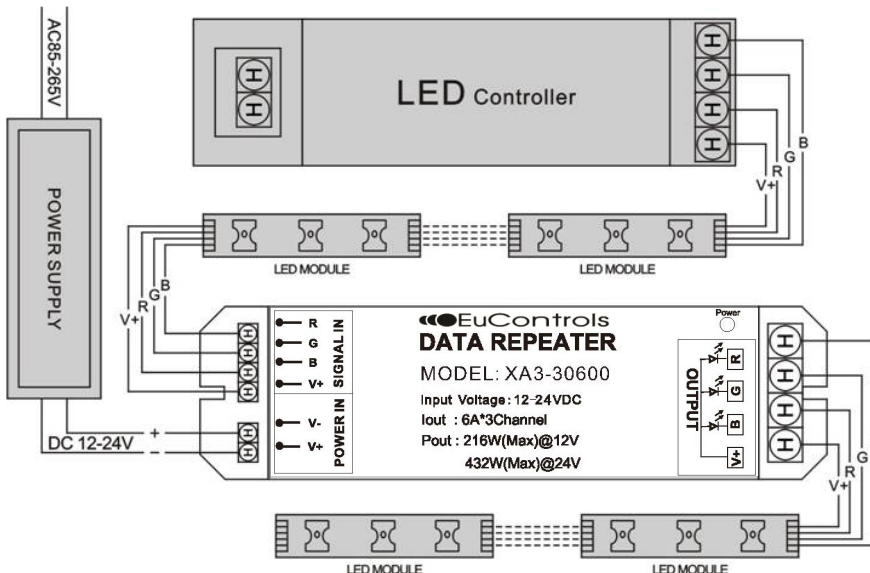
- 3-channel RGB controls, Max 6A per channel.
- Amplifies power of synchronous signal.
- Accepts PWM (Pulse Width Modulation) control.
- Compatibles with various LED modules.
- Unlimited series connectivity.

Product Specifications

- | | |
|-------------------------|--|
| • Input Voltage | DC12-24V |
| • Channel | 3 |
| • Output Current | 6A MAX / Channel |
| • Output Power | 12V: 216W; 24V: 432W |
| • Efficiency | 70% min |
| • Operating Temperature | 0 - 50°C |
| • Dimensions | (L)168*(W)51*(H)22 (mm)
6.61 x 2.01 x 0.87 (inch) |
| • Weight | 80g |



Connection Instructions



⚠ Note

- 1) This unit can be connected with various single-color modules and common anode connected full-color modules.
- 2) This unit can connect up to 200 full-color modules or 600 single-color modules or several high-power LEDs (Depends on its connecting method).