

XA3-31000

Power Repeater

Product Features

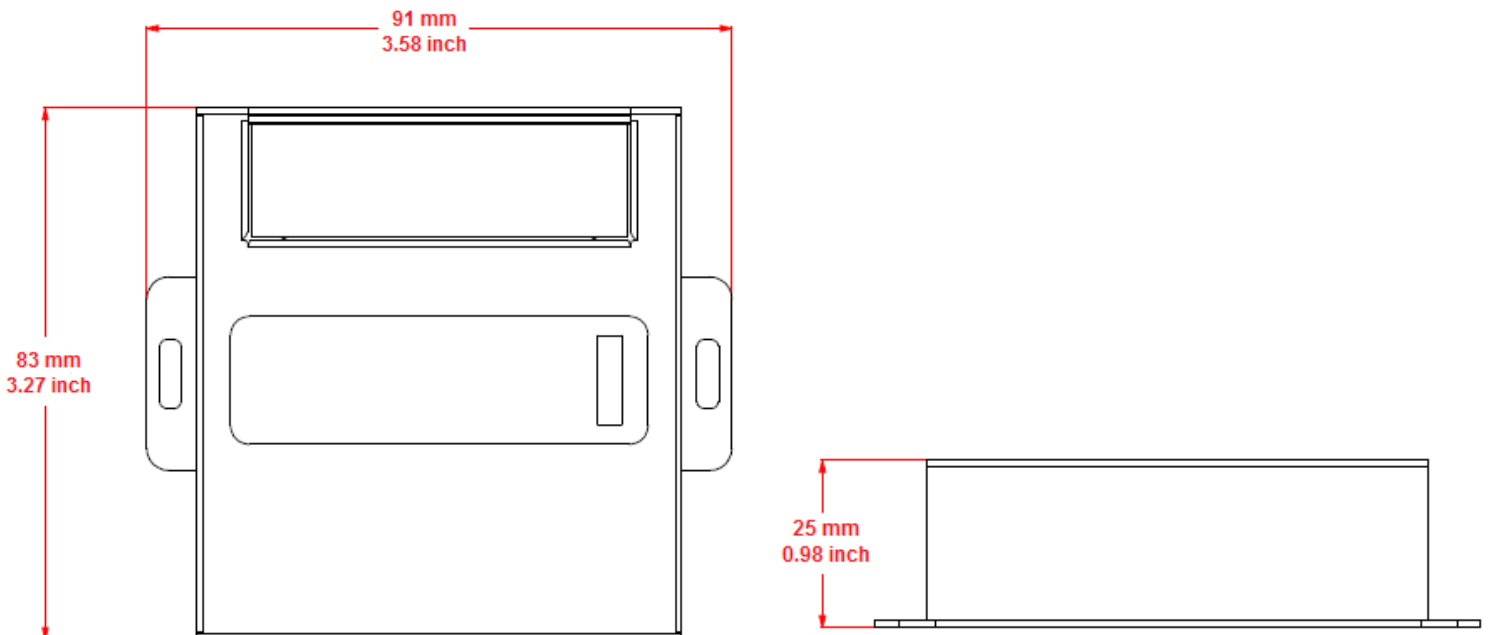
- 3-channel, Max 10A per channel.
- Amplifies power of synchronous signal.
- Accepts PWM (Pulse Width Modulation) control.
- Compatible with most LED modules.
- Fast response and no flicker.

Product Specifications

- Input Voltage 12 to 24VDC
- Channel 3
- Output Current 10A MAX / Channel
- Output Power 12V: 360W; 24V: 720W
- Operating Temperature 0 - 50°C
- Dimensions (L)83 x (W)91 x (H)25 (mm); 3.27 x 3.58 x 0.98 (inch)
- Weight 224g



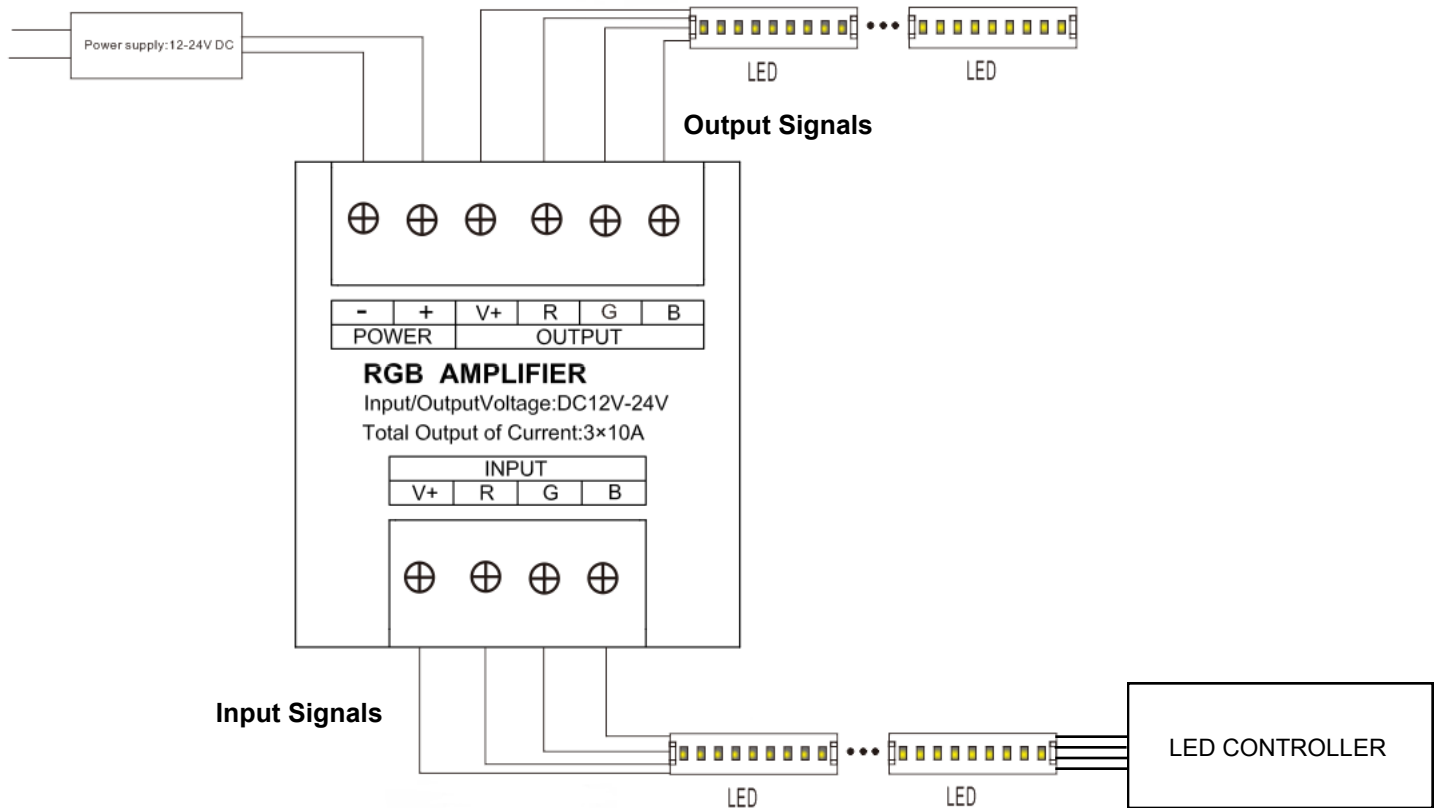
Dimensions



XA3-31000

Power Repeater

Connection Instructions



Troubleshooting Guides

Problem	Reason	Solution
All lights are off with power on.	No Power.	Check the power source.
	Power cord is not connected properly.	Reconnect the power cord.
	LED light does not work.	Replace the LED light.
The LED's brightness is uneven.	Wires are too long.	Shorten the wires or use loop power supply.
	Wires are too thin.	Use a bigger wire.
	Power supply is overloaded.	Replace to another larger power supply.
	Output power is overloaded.	Add more signal amplifiers.

△ **Note:**

- Normally, the effective power is only 80% of the number shown on the power supply, so please select a power supply at least 20% more than the load power of the LED light.