

## XC3-51200-SA

DMX Dimmer

DMX Dimmer  
XC3-51200-SA

### Product Features

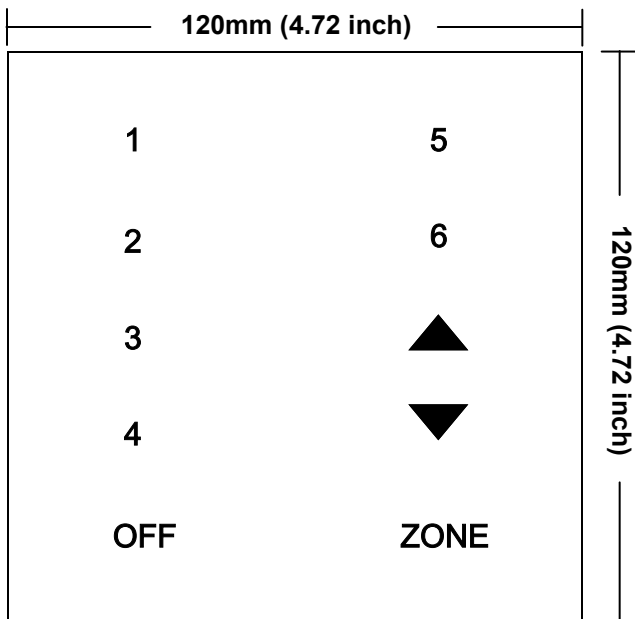
- Tempered glass touch panel with slider dimming control.
- 16 brightness levels and 6 programmable scenes.
- Low stand-by power consumption.
- Automatic parameter memory.
- Smooth, no flicker dimming.
- Complies with DMX512 (1990) International Standard.

### Product Specifications

- Input Voltage 12-24VDC
- Operation Temperature -35C ~ 55°C
- Dimensions (L) 120 x (W)120 x (H)24 (mm)  
4.72 x 4.72 x 0.94 (inch)
- Weight 452g



### Dimensions



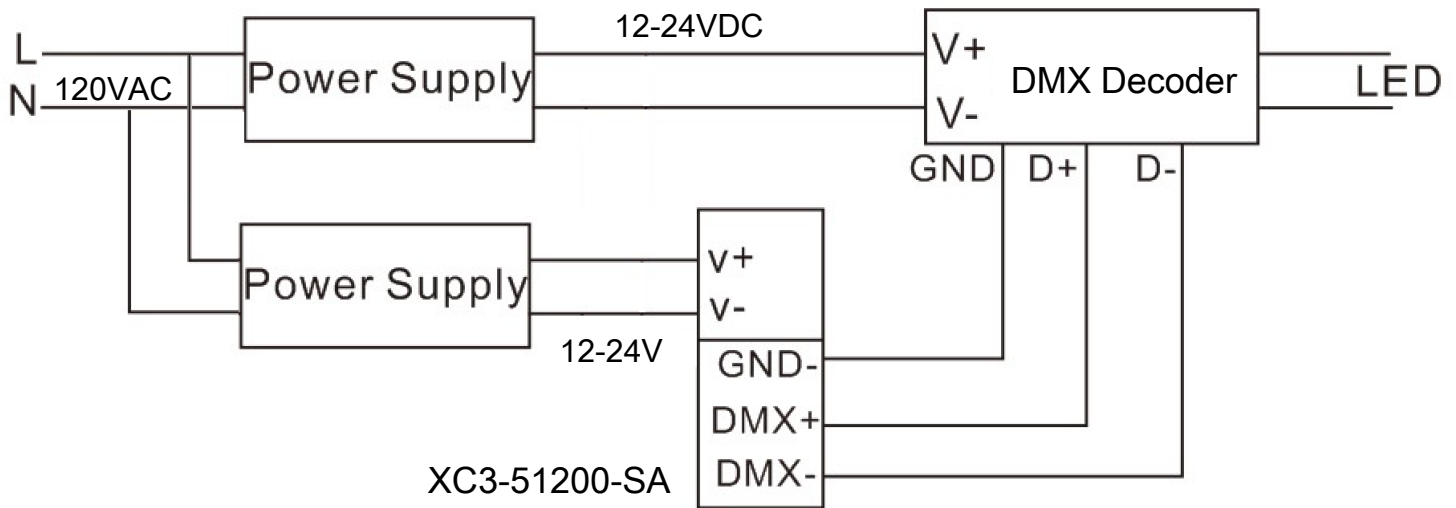
# XC3-51200-SA

DMX Dimmer

DMX Dimmer

XC3-51200-SA

## Connection Instructions



## Operation Instructions

**【ON】** : Connect the controller to the DC power source, and the DMX decoder, then press any number key or **Zone** key to turn on the LED.

**【Zone】** : To choose the channel-controlled mode or scene mode.

**【OFF】** : In channel-controlled mode, click the **OFF** key to turn the current channel off, and click it again to turn all the channels off or double-click the **OFF** key to turn all the channels off. In scene mode, click the **OFF** key to turn all the channels off.

**【▲】** : In channel-controlled mode, click the ▲ key to increase the brightness of the current channel; In scene mode, click the ▲ key to increase the brightness of all valid channels in the current scene .

**【▼】** : In channel-controlled mode, click the ▼ key to decrease the brightness of the current channel; In scene mode, click the ▼ key to decrease the brightness of all valid channels in the current scene .

**【Number Keys】** : In channel-controlled mode, click any number key to choose a channel and turn the channel on: In scene mode, click any number key to choose a scene.

**【Set a Scene】** : Press and hold the **Zone** key, at the same time, press and hold any number key for at least 2 seconds to enter the corresponding scene mode. The corresponding number key will be flashing. Then, you may choose the channel and its brightness. Press and hold **Zone** key for 2 seconds to exit the scene mode setting. The corresponding number key will stop flashing and the controller will record the new setting you just made.

## XC3-51200-SA

### DMX Dimmer

### Operation Instructions (Continued)

	ON	OFF	FLASHING
<b>Zone</b> LED indicator	In channel-controlled mode	In scene mode	Setting scene mode
<b>OFF</b> LED indicator	Controller is off	Does not apply	Does not apply
Brightness key LED indicators	Setting brightness	Maximum brightness	Dose not apply
Number key LED indicators	In channel-controlled mode, it indicates the lights on the current channel have been used; In scene mode, it indicates current scene has been used on the current channel; In scene setting mode, it indicates which scene has been used.	In channel-controlled mode, it indicates the brightness of all lights on the current channel is zero; In scene mode, it indicates current channel has not been chosen for. The current scene and the brightness of all lights on the current channel is zero.	In channel-controlled mode, it indicates which channel has been chosen.

**【Important】 :**

- (1) All operations have acoustic and visual feedbacks.
- (2) When any setting has been updated, it will be saved automatically.
- (3) When the controller has been powered on for the first time, it will take 3 seconds to debug, during that time, do not touch the panel in order to avoid any damage to the sensitivity of the controller.

### Troubleshooting Guides

Problem	Reason	Solution
All lights are off with power on.	No Power.	Check the power source.
	Power cord is not connected properly.	Reconnect the power cord.
Touch panel is not sensitive enough.	The calibration of the touch panel was not proper during the initialization.	Unplug the power cord and Re-initialize the controller.
Abnormal flicker.	Wires are too long.	Shorten the wires or use loop power supply.
	Dimmer or power supply is overloaded.	Add more signal amplifiers.
Signal Confusion.	DMX signal wire is not connected properly.	Reconnect the DMX signal wire.