

ZigBee Lighting Controller

0(1)-10V Dimming

Product Features

- ZigBee Wireless Dimming of Luminaires
- +20dBm ZigBee transmit power
- 0-10V Analog Dimming Control, 50mA Sink
- Compatible with Electronic Ballasts & LED Drivers that comply with IEC60929 Annex E2, 1-10V Dimming.
- Stores last dim setting even when powered off.

Environmental

1. Operating temperature: Tc Maximum 72 °C, Ambient -5 to +60°C Max.
2. Storage temperature range: -40 to +80°C
3. Humidity (non-condensing): 5% - 95%RH
4. Cooling: Convection
5. Vibration Frequency: 5-55Hz/2g, 30 minutes
6. Impact resistance: 1g/s

Safety and Compliance

1. UL244A, UL508, CSA22.2 14-13 Listed
2. UL2043 Plenum Rated
3. FCC, 47CFR Part 15 Class B compliant
4. ZigBee HA Certified
5. Damp, Dust Proof Design IP50

Electrical Specifications at 25°C

- Input voltage range: 12VDC, 11-13VDC
- Input current Module Power: ≤0.090A for Units power use



IP50



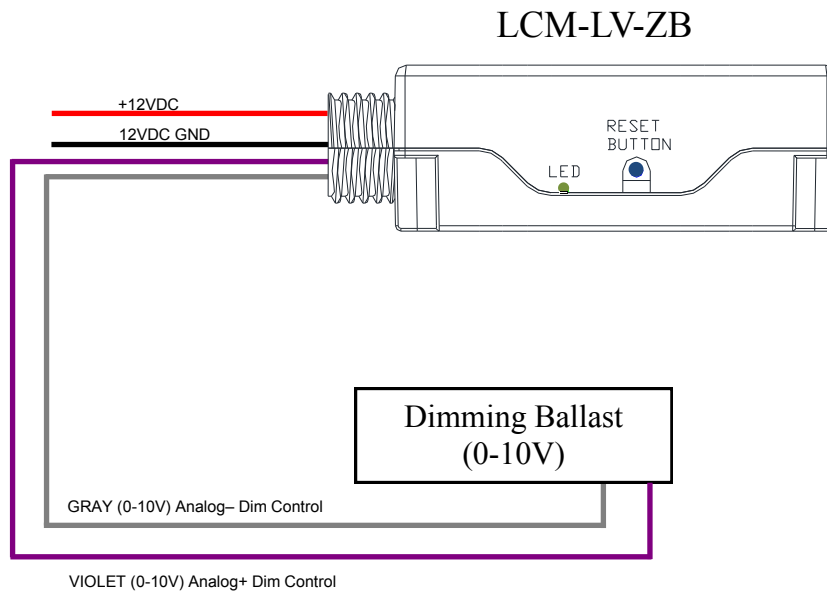
ZigBee
Certified product



Part Numbers

| Part Number | Dimming US Class 2 | Dimming CN Class 2 | Control | 0-10V Analog |
|-------------|--------------------|--------------------|-----------|--------------|
| LCM-LV-ZB | YES | YES | ZigBee HA | YES |

Typical Application Circuit



Notes

1. Do not cross wire or short Vin to Dim out wires or part will be damaged.

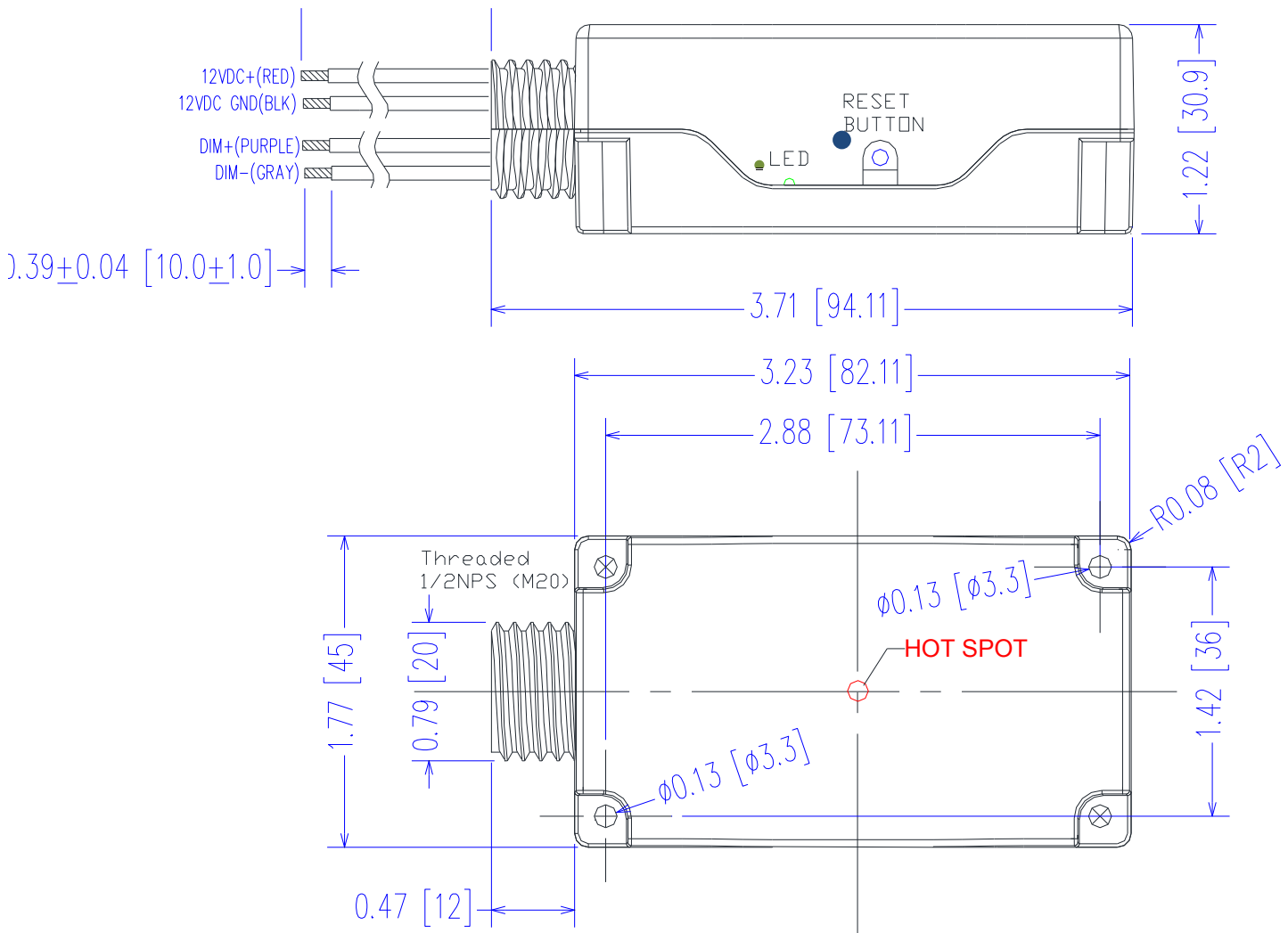
ZigBee Lighting Controller 0(1)-10V Dimming

ZigBee
LCM-LV-ZB
Wireless Controller

Mechanical Dimensions: Inches [mm]
 Material: Gray 5VA PC ABS Plastic Case
 Weight: 55 Grams (1.9 oz.) Typical

Labeling Example

| | | | |
|---|---|---|-------|
|  | | ZigBee HA Lighting Dimmer EuControls, Inc. www.EuControls.com | REV A |
| 12VDC INPUT +12VDC = RED GND = BLACK | Part Number: LCM-LV-ZB Input Voltage: +12VDC Input Current: 0.09 Amp Max 0-10V Sink Dimming Output, 50mA Maximum Sink Current 0-10V Output is UL & cUL Class 2 ZigBee HA | | |
| 0-10V DIM OUTPUT DIM+ = PURPLE DIM- = GRAY | |    | |
| HG Made in China | | | |



ZigBee Lighting Controller

0(1)-10V Dimming

Input Specifications

| Parameter | Min. | Typ. | Max. | Notes/Conditions |
|-------------------------------|---------|---------|---------|--------------------------------------|
| Input Voltage | 11.0VDC | 12.0VDC | 13.0VDC | 12VDC Nominal Value |
| ZigBee Control Transmit Power | — | — | +20dBm | 11 Step log dimming, Standard ZigBee |

Output Specifications

| Parameter | Min. | Typ. | Max. | Notes/Conditions |
|---|--------|------|------|---|
| Sink Current on 0-10V (+) Purple Wire | 0mA | — | 50mA | IEC60929 Annex E2 |
| Absolute Voltage Range on 0-10V (+) Purple Wire | -20.0V | — | +20V | IEC60929 Annex E2 |
| Dimming Range | 0.4V | — | +10V | Ballast or Led Driver provides Dim Voltage & Current per IEC60929 Annex E2, 0(1)-10V Analog Dimming |

Environmental Specifications

| Parameter | Min. | Typ. | Max. | Notes/Conditions |
|----------------------------|--------|------|--------|---|
| Operating Temperature (Ta) | -20 °C | — | +60 °C | Operating temperature range. |
| Storage Temperature (Ts) | -40 °C | — | +85 °C | Non operating temperature range. |
| Operating Humidity | — | — | 95% RH | Relative Humidity, non-condensing. |
| Vibration | 5 Hz | — | 55 Hz | 2G, 10 minutes/1 cycle, period 30 minutes, each along X, Y, Z axis. |

Safety & EMC Compliance

| Safety | Notes/Standards |
|---------------|---|
| UL/CUL Listed | UL244A, UL508 & CAN/CSA C22.2 No. 14-13 Listed, UL2043 Plenum Rated |
| CE | EN61347-1, EN61347-2-13 |
| FCC | Compliant Class B |

**ZigBee Lighting Controller
0(1)-10V Dimming**

Wireless Controller

**ZigBee
LCM-LV-ZB**

